

[19] State Intellectual Property Office of the People's Republic of China

[51] Int.Cl⁷
G03B 11/04
G03B 11/00

LOGO

[12] SPECIFICATION OF UTILITY MODEL

Application Number ZL 200420096140.5

[within China the application number is used as patent number]

[45] Date of Approval 12 OCTOBER, 2005

[11] Number of Patent CN 2733405Y

[within china this number is called number of approval]

[22] Application Date 27 SEPTEMBER, 2004

[74] Patent Agency

[21] Application Number 200420096140.5

BEIXIN-ZHICHENG

[73] Patentee ZHOU SIDU

INTELLECTUAL PROPERTY

Address 100071 2-27, B11, DAJINGDONGLI
FENGTAI DIS., BEIJING

AGENT CO., LTD

Joint Patentee YANG WENFENG

Agent

ZHANG AIQUN

[72] Inventor ZHOU SIDU

CLAIMS 1 PAGE DESCRIPTION 2 PAGES DRAWINGS 3 PAGES

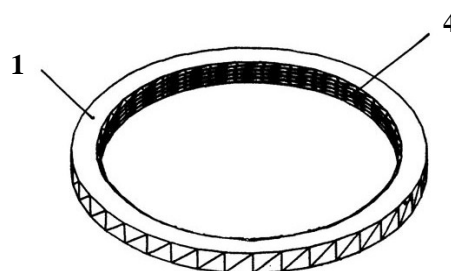
[54] Title of the Invention

COUNTER NUT LOCK RING FOR THE SCREW MOUNT OF CAMERA LENS HOODS

[57] Abstract

The counter nut lock ring for the screw mount of camera lens hoods functions like a counter nut: The inner thread width of the lock ring equals the outer thread width of the screw mounting on the bottom of the lens hood body. The height of the lock ring is shorter than the screw mounting on the bottom of the lens hood. The inner thread of the lock ring fits the outer thread on the bottom of the hood body like a male/female pair of threads. With this camera lens hood lock ring the higher sides of flower-shaped lens hoods can be fixated on the lens in the correct perpendicular position without having to adjust the position later again and again.

This convenient, cost-effective invention improves the quality of photography.



ISSN 1008 - 4274

1. A counter nut lock ring for the screw mount of camera lens hoods, said screw mount comprising a counter nut lock ring with the following features:
 - The inner width of the lock ring is equal to the outer thread width of the screw mounting part in the bottom of the lens hood body;
 - The height of the lock ring is shorter than the screw mounting part in the bottom of the lens hood body;
 - The inner thread of the lock ring fits the outer thread in the bottom part of the lens hood body like a pair of male/female threads.

COUNTER NUT LOCK RING FOR THE SCREW MOUNT OF CAMERA LENS HOODS

Technical field

This utility model relates to a camera accessory and, more particularly, to a counter nut lock ring for the screw mount of camera lens hoods.

Background

To increase the quality of photographing, a lens hood should be installed in front of the lens. The most frequently used lens hood design is flower-shaped with 4 petals. The two longer sides and the two shorter sides of the petals are rectangular to each other. Using the hood, the longer sides must be fixated vertically and the shorter sides horizontally to the lens to receive the best effect on the flare reduction. Prior art flower-shaped lens hoods and lenses are connected only by a simple thread. After screwing them in, the longer petals probably are not fixated precisely pointing to the upper and bottom sides of the lens, so that the intended effect can only be obtained with repeating adjustments. The threads of the lenses and the hoods are easily worn out or damaged in this way.

Content of the invention

The object of this utility model is to provide a counter nut lock ring for the screw mount of camera lens hoods, which is capable to position the higher sides of flower-shaped hoods precisely perpendicular on the lens, to improve the photographing quality.

This object of this utility model is achieved by the following innovation: **a counter nut lock ring for the screw mount of camera lens hoods,**

- the inner width of the lock ring is equal to the outer thread width of the screw mounting part in the bottom of the lens hood body;
- the height of the lock ring is shorter than the screw mounting part in the bottom of the lens hood body;
- the inner thread of the lock ring fits the outer thread in the bottom part of the lens hood body like a pair of male/female threads.

With this camera lens hood lock ring the higher sides of flower-shaped lens hoods can be fixated on the lens precisely in the correct perpendicular position without any further adjustments.

This convenient, cost-effective innovation improves the quality of photography.

Description of the drawings

Fig. 1: the shape of the utility model

Fig. 2: combination of the utility model and lens hood body

Fig. 3: the utility model in use

Description of the preferred Embodiment

In Fig. 1 and 2 we can see that the **camera lens hood screw mount device is a lock ring 1 with counter nut function,**

the inner width of the lock ring 1 is equal to the outer thread width of the threaded mounting part 3 in the bottom of the lens hood body 2;

the height of the lock ring 1 is shorter than the screw mounting part 3 in the bottom of the lens hood body 2;

the inner thread 4 of the lock ring 1 fits the outer thread 5 width in the bottom of the lens hood body 2 like a pair of male/female threads.

Fig. 3 shows this utility model in use. Screw the lock ring 1 on the screw mounting part 3 in the bottom of the hood body 2. Since the lock ring 1 is shorter than the threaded mounting part 3 in the bottom of the hood body 2, the remaining thread space of the mounting part 3 of the lens hood 2 can be screwed into the filter thread of the camera lens 6. After turning the higher sides of the hood 2 into a perpendicular position to the camera lens 6, screw the lock ring 1 tightly on the lens. This is a convenient way to firmly fixate the lens hood 2 on the lens 6.

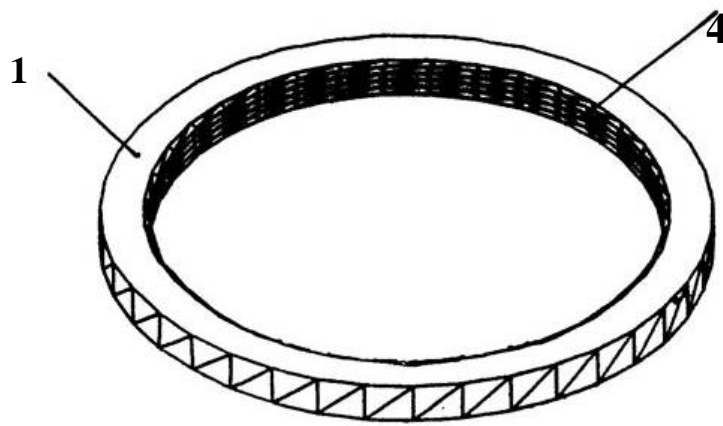


Fig. 1

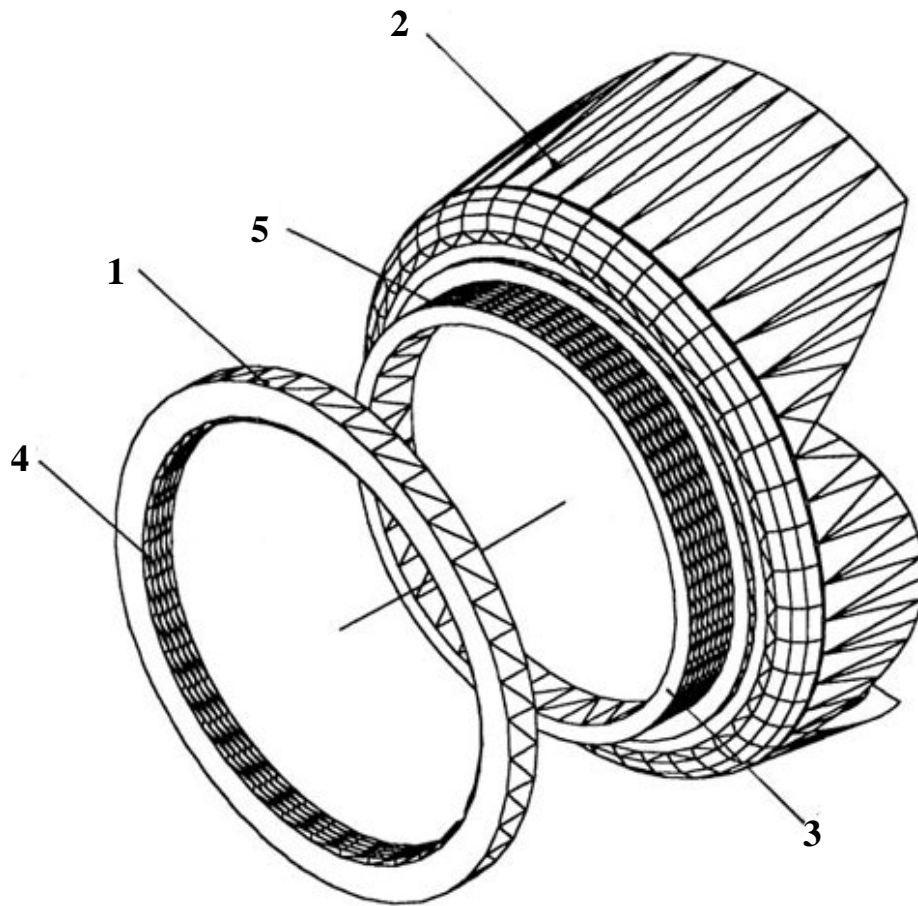


Fig. 2

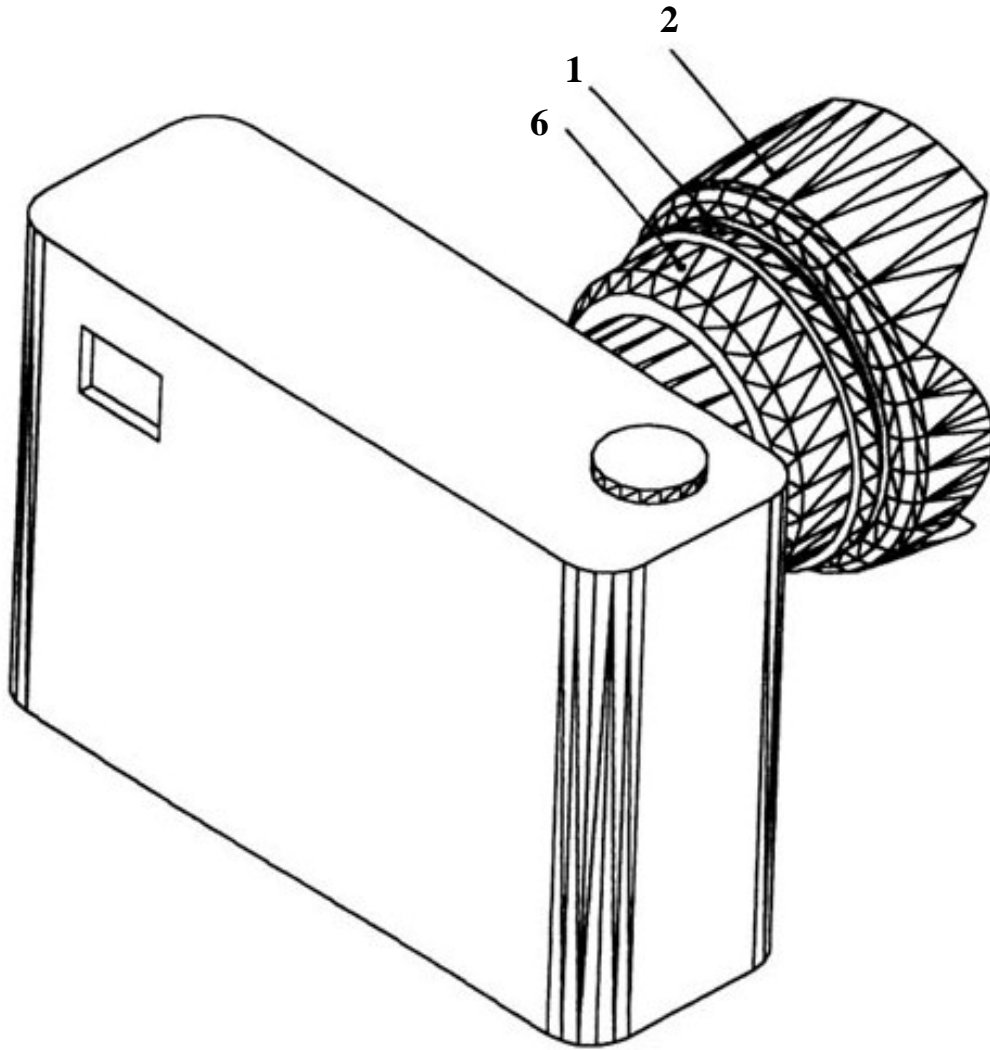


Fig. 3

Translation of the Patent Certificate :
[notes in square brackets are explanations of the translator]

-Logo- utility model patent certificate

[left side]

Title of Invention: **COUNTER NUT LOCK RING FOR THE SCREW MOUNT OF CAMERA LENS HOODS**

Inventor: Zhou Sidu [CEO and owner of the mennon Corporation]

Application No.: ZL 2004 20096140.5 [serves as patent number within China]

Application date: 27 September, 2004

Patentee: Zhou Sidu, Yang Wenfeng

Date of approval: 12 October, 2005

Page 1 (all together 1 page)

[right side]

Certificate Number No.732944 - seal -

The Office has examined the invention pursuant to the Patent Law of the People's Republic of China, and decided that a patent shall be granted on it and filed it into the patent register. The patent will become effective as from the authorized notice date.

The valid period of the patent shall be 10 years as from the application date. The Patentee shall pay annual fees pursuant to the Patent Law and Enforcement Rules. The period for the payment of the annual fee is within one month before Sep 27 every year. Those who fail to pay the annual fee in due time will be exempted from the patent at the expiration of the payable year.

The legal status when the patent was registered is recorded in the Certificate of the Patent. The transfer, cancellation, invalidity or termination of the patent, and such information as the change of the patentee's name, nationality or address etc. is recorded in the patent register.

Patent No. (barcode)

Bureau Leader: Tian Lipu

(Seal) State Intellectual Property Office of the People's Republic of China

October 12, 2005

公 证 书

(2010)京方圆外民证字第41696号

兹证明前面的英文译文与中文原文内容相符。

中华人民共和国北京市方圆公证处

公证员

刘莹

二〇一〇年九月一日

公证处

XW57317983

NOTARIAL CERTIFICATE

(Translation)

(2010)J.F.Y.W.M.Z.Zi, No. 41696

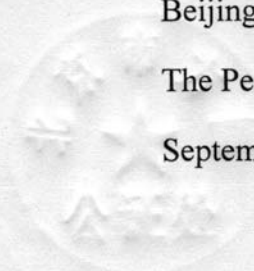
This is to certify that the English translation attached hereto is in conformity with the Chinese original.

Notary: Liu Ying

Beijing Fangyuan Notary Public Office

The People's Republic of China

September 1, 2010



XM57317984

XM57317984

公 证 书

(2010)京方圆外民证字第41697号

兹证明前面的英文译本与(2010)京方圆外民证字第41696号公证书中文原本内容相符。

中华人民共和国北京市方圆公证处

公证员

二〇一〇年九月一日



851852WX XW57318051

NOTARIAL CERTIFICATE

(Translation)

(2010)J.F.Y.W.M.Z.Zi, No. 41697

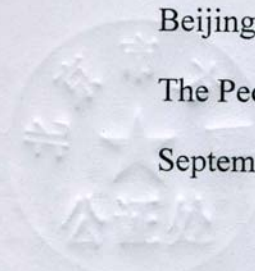
This is to certify that the English translation enclosed is identical with the Chinese original of the Notarial Certificate (2010) J.F.Y.W.M.Z.Zi, No. 41696.

Notary: Liu Ying

Beijing Fangyuan Notary Public Office

The People's Republic of China

September 1, 2010



081872WX

XV57318052