

[19] State Intellectual Property Office of the People's Republic of China

[51] Int.Cl⁷

G03B 11/04

G03B 11/00

LOGO

[12] SPECIFICATION OF UTILITY MODEL

Application Number ZL 200420096141.X

[within China the application number is used as patent number]

[45] Date of Approval 12 OCTOBER, 2005

[11] Number of Patent CN 2733406Y

[within China this number is called number of approval]

[22] Application Date 27 SEPTEMBER, 2004

[74] Patent Agency

[21] Application Number 200420096141.X

BEIXIN-ZHICHENG

[73] Patentee ZHOU SIDU

INTELLECTUAL PROPERTY

Address 100071 2-27, B11, DAJINGDONGLI
FENGTAI DIS., BEIJING

AGENT CO., LTD

Joint Patentee YANG WENFENG

Agent

ZHANG AIQUN

[72] Inventor ZHOU SIDU

CLAIMS 1 PAGE

DESCRIPTION 2 PAGES

DRAWINGS 2 PAGES

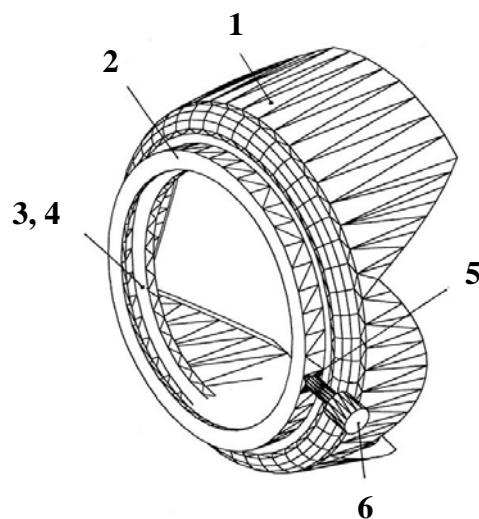
[54] Title of the Invention

LENS HOOD WITH A BAYONET STYLE MOUNT WITH A LOCK SCREW

[57] Abstract

A lens hood with a bayonet style mount with a lock screw is formed with a flower-shaped lens hood body. Its two longer and two shorter petals are symmetrical to each other.

There is a ring groove in the inner side of the mounting body in the bottom of the lens hood body; there is a hole with a screw thread through the ring groove; a lock screw is screwed through this hole. With the bayonet style lens hood mount with lock screw, you just need to screw the lock screw through the threaded hole, to fixate the higher sides of the flower-shaped lens hood on the camera lens in precisely perpendicular position without having to adjust the position later again and again. This convenient, cost-effective invention improves the quality of photography.



ISSN 1008-4274

1. A lens hood with a bayonet style mount with a lock screw is formed with a flower-shaped lens hood body, with two longer and two shorter petals which are symmetrical to each other, comprising:
 - a ring groove in the inner side of the mounting body in the bottom of the lens hood body;
 - a hole with a screw thread through the ring groove;
 - a lock screw, which is screwed through this hole.
2. A lens hood of claim 1, wherein there is:
 - a rubber ring put into the inside of the ring groove.

LENS HOOD WITH A BAYONET STYLE MOUNT WITH A LOCK SCREW**Technical field**

This utility model relates to a camera accessory and, more particularly, to a lens hood with a bayonet style mount with a lock screw.

Background

To increase the quality of photographing, a lens hood should be installed in front of the lens. The most frequently used lens hood design is flower-shaped with 4 petals. The two longer sides and the two shorter sides of the petals are rectangular to each other. Using the hood, the longer sides must be fixated vertically and the shorter sides horizontally to the lens to receive the best effect on the flare reduction.

Prior art flower-shaped lens hoods and lenses are connected only by a simple thread. After screwing them in, the longer petals probably are not fixated precisely pointing to the upper and bottom sides of the lens, so that the intended effect can only be obtained with repeating adjustments. The threads of the lenses and the hoods are easily worn out or damaged in this way.

Content of invention

The object of this utility model is to provide a lens hood with a bayonet style mount with a lock screw, which is capable to easily fixate the higher sides of the flower-shaped hood precisely perpendicular on the lens, to improve the photographing quality.

The object of this utility model is achieved by the following innovation: a lens hood with a bayonet style mount with a lock screw, which is formed with a flower-shaped hood body with two longer and two shorter petals which are symmetrical to each other, comprising:

- a ring groove in the inner side of the mounting body in the bottom of the lens hood body;
- a hole with a screw thread through the ring groove;
- a lock screw, which is screwed through this hole.

With the bayonet style lens hood mount with lock screw, you just need to screw the lock screw through the threaded hole, to fixate the higher sides of the flower-shaped lens hood on the camera lens in precisely perpendicular position without later having to adjust the position again and again. This convenient, cost-effective invention improves the quality of photography

Short Description of the Drawings

Fig. 1: the shape of the utility model

Fig. 2: the utility model in use

Description of the Preferred Embodiment

In **Fig. 1**, we can see that the bayonet style lens hood mount with lock screw is part of the body of the flower-shaped lens hood 1.

The two longer and two shorter petals are symmetrical to each other.

There is a ring groove 3 in the inner side of the mounting body 2 in the bottom of the lens hood body 1;

inside the ring groove 3 there is a rubber ring 4 set in;

there is a hole 5 with screw thread through the ring groove 3;

the lock screw 6 is screwed into the hole 5.

Fig. 2 shows this utility model in use:

The flower-shaped lens hood is installed in front of the camera lens.

The higher sides of the hood are perpendicular to the lens, the shorter sides of the lens hood horizontal to the lens. The lock screw 6 is screwed into the threaded hole 5. When the lock screw 6 passes the ring groove 3, it softly sticks on the camera lens 7 with the rubber ring 4. In this simple way the lens hood is installed firmly on the camera lens without causing any damage to the lens. The use is convenient and improves the quality of the photography.

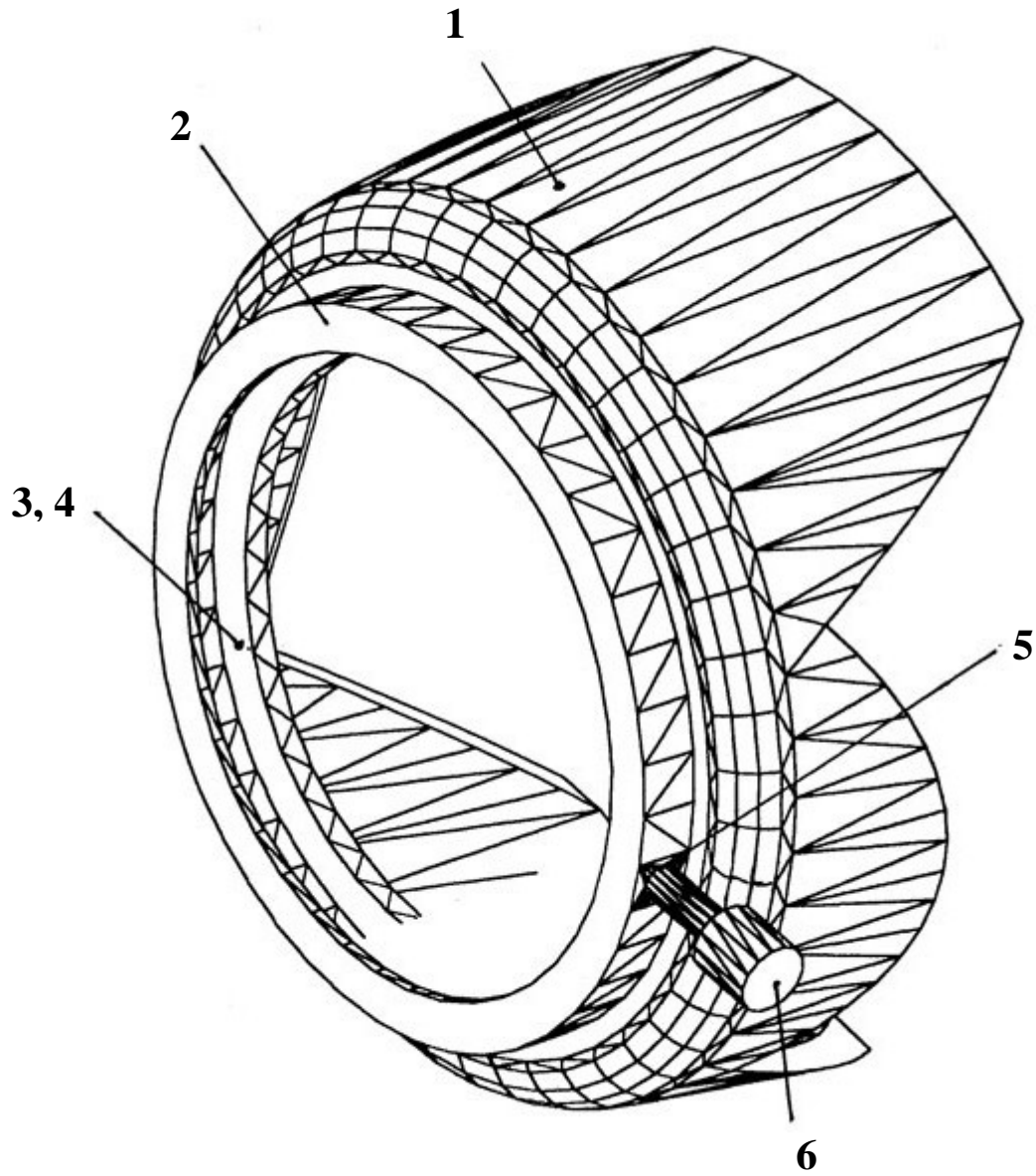


Fig. 1

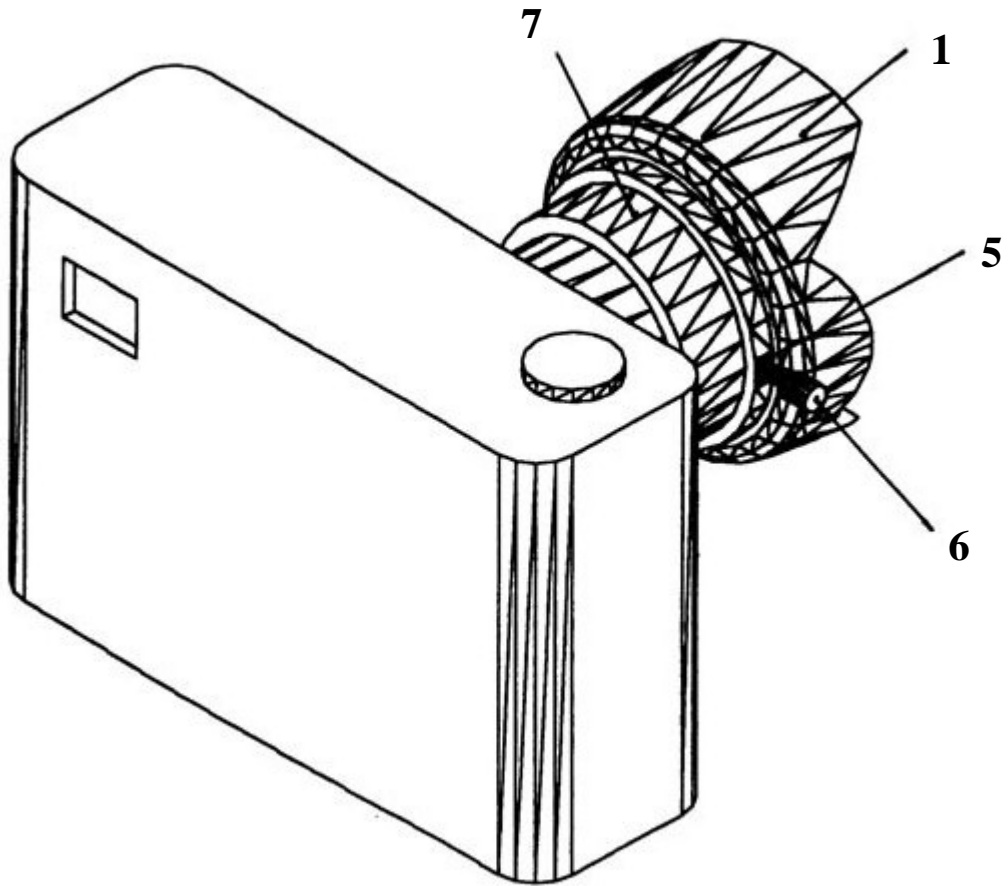


Fig. 2

Translation of the Patent Certificate :
[notes in square brackets are explanations of the translator]

-Logo- utility model patent certificate

[left side]

Title of Invention: **LENS HOOD WITH A BAYONET STYLE MOUNT WITH A LOCK SCREW**

Inventor: Zhou Sidu [CEO and owner of the mennon Corporation]

Application No.: ZL 2004 2 0096141.X [serves as patent number within China]

Application date: 27 September, 2004

Patentee: Zhou Sidu, Yang Wenfeng

Date of approval: 12 October, 2005

Page 1 (all together 1 page)

[right side]

Certificate Number No.733140 - seal -

The Office has examined the invention pursuant to the Patent Law of the People's Republic of China, and decided that a patent shall be granted on it and filed it into the patent register. The patent will become effective as from the authorized notice date.

The valid period of the patent shall be 10 years as from the application date. The Patentee shall pay annual fees pursuant to the Patent Law and Enforcement Rules. The period for the payment of the annual fee is within one month before Sep 27 every year. Those who fail to pay the annual fee in due time will be exempted from the patent at the expiration of the payable year.

The legal status when the patent was registered is recorded in the Certificate of the Patent. The transfer, cancellation, invalidity or termination of the patent, and such information as the change of the patentee's name, nationality or address etc. is recorded in the patent register.

Patent No. (barcode)

Bureau Leader: Tian Lipu

(Seal) State Intellectual Property Office of the People's Republic of China

October 12, 2005

公 证 书

(2010)京方圆外民证字第41698号

兹证明前面的英文译文与中文原文内容相符。

中华人民共和国北京市方圆公证处

公证员

刘莹

二〇一〇年九月一日

公证处

XV57340130

NOTARIAL CERTIFICATE

(Translation)

(2010)J.F.Y.W.M.Z.Zi, No. 41698

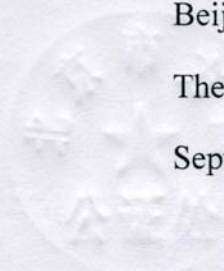
This is to certify that the English translation attached hereto is in conformity with the Chinese original.

Notary: Liu Ying

Beijing Fangyuan Notary Public Office

The People's Republic of China

September 1, 2010



XV57340131

公 证 书

(2010)京方圆外民证字第41699号

兹证明前面的英文译本与(2010)京方圆外民证字第41698号公证书中文原本内容相符。

中华人民共和国北京市方圆公证处

公证员

刘莹

二〇一〇年九月一日

公证处

XW57318053

NOTARIAL CERTIFICATE

(Translation)

(2010)J.F.Y.W.M.Z.Zi, No. 41699

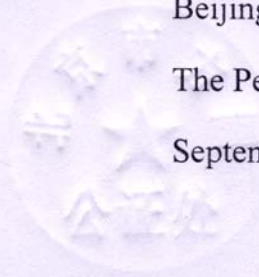
This is to certify that the English translation enclosed is identical with the Chinese original of the Notarial Certificate (2010) J.F.Y.W.M.Z.Zi, No. 41698.

Notary: Liu Ying

Beijing Fangyuan Notary Public Office

The People's Republic of China

September 1, 2010



XV57318054

57318054